

# FIREPLACES

## LL-15A



**LL-15A**

**LL-15A, Frontal fireplace**

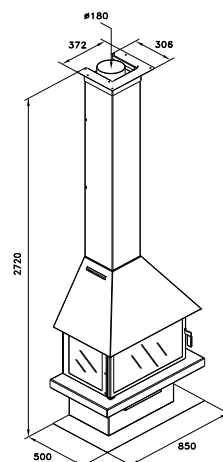
Optional items:

LL-15/2 Additional length cover pipe (€/metre)\*

LL-15-1/3 Special ceiling crest

LL-15-1/2 Slope ceiling crest

Efficiency. 80%  
Nominal output 11 kW  
Output range 8-15 kW  
CO at 13% O<sub>2</sub> = 0,10%  
Part.22,6mg/Nm<sup>3</sup>  
Fuel 3,1 kg/h  
Weight 150 kg  
Log length 45 cm  
Smoke pipe diameter 180 mm



## LL-15B



**LL-15B**

**LL-15B, Frontal fireplace**

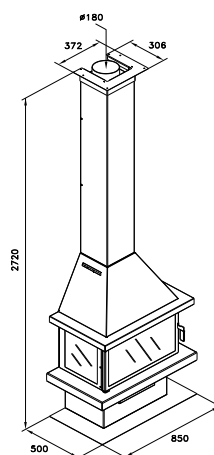
Optional items:

LL-15/2 Additional length cover pipe (€/metre)\*

LL-15-1/3 Special ceiling crest

LL-15-1/2 Slope ceiling crest

Efficiency. 80%  
Nominal output . 11 kW  
Output range 8-15 kW  
CO at 13% O<sub>2</sub> = 0,10%  
Part.22,6mg/Nm<sup>3</sup>  
Fuel 3,1 kg/h  
Weight 151 kg  
Log length 45 cm  
Smoke pipe diameter 180 mm



## LL-15C



**LL-15C**

**LL-15C, Frontal fireplace**

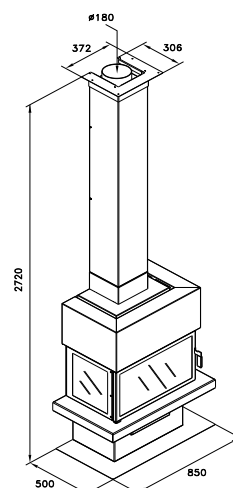
Optional items:

LL-15/2 Additional length cover pipe (€/metre)\*

LL-15-1/3 Special ceiling crest

LL-15-1/2 Slope ceiling crest

Efficiency. 80%  
Nominal output 11 kW  
Output range 8-15 kW  
CO at 13% O<sub>2</sub> = 0,10%  
Part.22,6mg/Nm<sup>3</sup>  
Fuel 3,1 kg/h  
Weight 152 kg  
Log length 45 cm  
Smoke pipe diameter 180 mm



\*Minim amount to invoice 0,50m

# FIREPLACES

## LL-15D

### CODE

### DESCRIPTION



**LL-15D**

**LL-15D, Frontal fireplace with bench (right side)**

Optional items:

LL-15/2

Additional length cover pipe (€/metre)\*

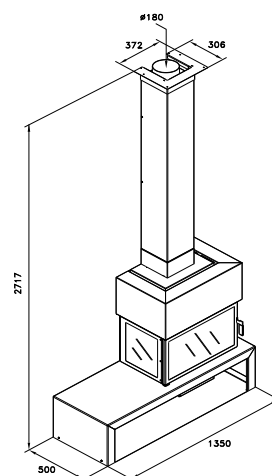
LL-15-1/3

Special ceiling crest

LL-15-1/2

Slope ceiling crest

Efficiency. 80%  
Nominal output 11 kW  
Output range 8-15 kW  
CO at 13% O<sub>2</sub> = 0,10%  
Part.22,6mg/Nm<sup>3</sup>  
Fuel 3,1 kg/h  
Weight 172 kg  
Log length 45 cm  
Smoke pipe diameter 180 mm



Request for more bench options

## LL-15E

### CODE

### DESCRIPTION



**LL-15E**

**LL-15E, Frontal fireplace with bench (left side)**

Optional items:

LL-15/2

Additional length cover pipe (€/metre)\*

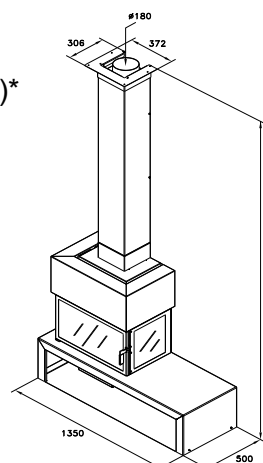
LL-15-1/3

Special ceiling crest

LL-15-1/2

Slope ceiling crest

Efficiency. 80%  
Nominal output 11 kW  
Output range 8-15 kW  
CO at 13% O<sub>2</sub> = 0,10%  
Part.22,6mg/Nm<sup>3</sup>  
Fuel 3,1 kg/h  
Weight 172 kg  
Log length 45 cm  
Smoke pipe diameter 180 mm



Request for more bench options

## LL-20

### CODE

### DESCRIPTION



**LL-20**

**LL-20, Corner fireplace**

Optional items:

LL-20/2

Additional length cover pipe (€/metre)\*

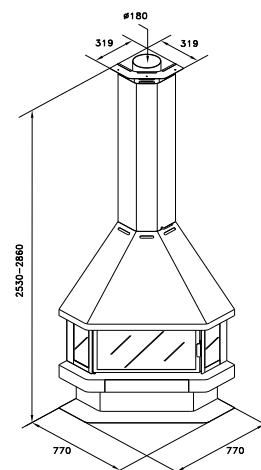
LL-20-1/3

Special ceiling crest

LL-20-1/2

Slope ceiling crest

Efficiency. 75%  
Nominal output 13 kW  
Output range 9-15,5 kW  
CO at 13% O<sub>2</sub> = 0,17%  
Fuel 3,71 kg/h  
Weight 111 kg  
Log length 45 cm  
Smoke pipe diameter 180 mm



\*Minim amount to invoice 0,50m

# FIREBOXES

## LL-2050

### CODE

### DESCRIPTION



**LL-2050**

**LL-2050, Firebox with sliding up-down door**

Optional items:

LL-2050-1

External casing with hot air outlets

LL-830

Barbecue kit:

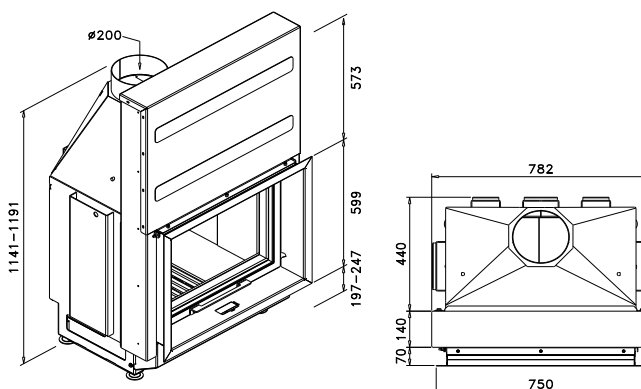
(Includes: grill, adapter guides, stainless steel guides and grease drip tray)



LL-2050-1



LL-830



Efficiency: 75 %  
 Nominal output 11 kW  
 Output range 8-13 kW  
 CO at 13% O<sub>2</sub> = 0,28%  
 Fuel 3,1 kg/h  
 Weight 223 kg  
 Log length 40 cm  
 Smoke pipe diameter 200 mm

## LL-2060

### CODE

### DESCRIPTION



**LL-2060**

**LL-2060, Firebox with sliding up-down door**

Optional items:

LL-2060-1

External casing with hot air outlets

LL-830

Barbecue kit:

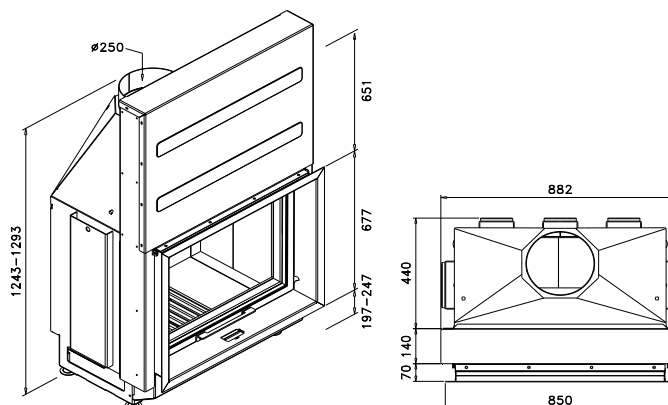
(Includes: grill, adapter guides, stainless steel guides and grease drip tray)



LL-2060-1



LL-830



Efficiency: 74 %  
 Nominal output 14 kW  
 Output range 10-17 kW  
 CO at 13% O<sub>2</sub> = 0,23%  
 Fuel 4 kg/h  
 Weight 263 kg  
 Log length 45 cm  
 Smoke pipe diameter 250 mm

# FIREBOXES

LL-2080	CODE	DESCRIPTION	
---------	------	-------------	--



**LL-2080**      **LL-2080, Firebox with sliding up-down door**

LL-2080-1  
LL-830

Optional items:

External casing with hot air outlets

Barbecue kit:

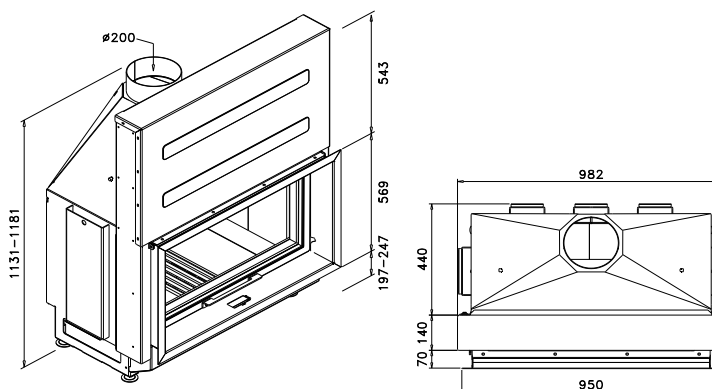
(Includes: grill, adapter guides, stainless steel guides and grease drip tray)



LL-2080-1



LL-830



Efficiency. 72 %  
Nominal output 13,5 kW  
Output range 9,5-16 kW  
CO at 13% O<sub>2</sub> = 0,30%  
Fuel 3,8 kg/h  
Weight 260 kg  
Log length 55 cm  
Smoke pipe diameter 200 mm

LL-2090	CODE	DESCRIPTION	
---------	------	-------------	--



**LL-2090**      **LL-2090, Firebox with sliding up-down door**

LL-2090-1  
LL-830

Optional items:

External casing with hot air outlets

Barbecue kit:

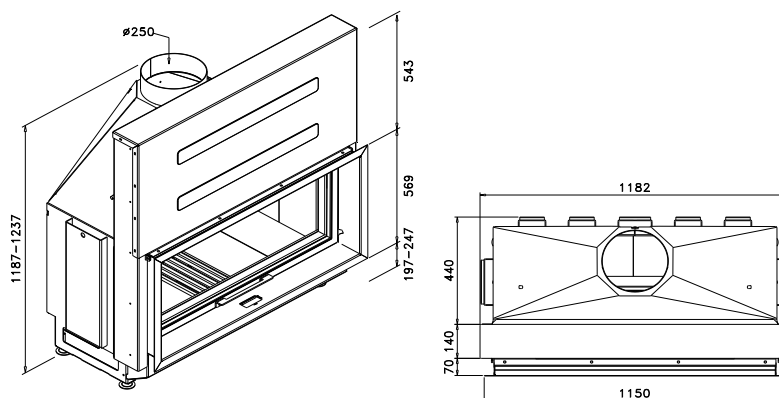
(Includes: grill, adapter guides, stainless steel guides and grease drip tray)



LL-2090-1



LL-830



Efficiency. 71 %  
Nominal output 14 kW  
Output range 10-17 kW  
CO at 13% O<sub>2</sub> = 0,28%  
Fuel 4,1kg/h  
Weight 295 kg  
Log length 65 cm  
Smoke pipe diameter 250 mm

## INSERT

### ARGO-70

#### CODE

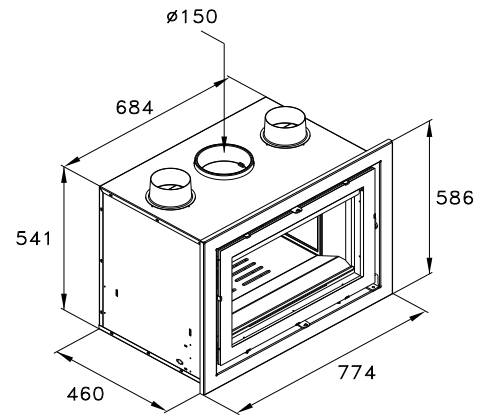
#### DESCRIPTION

**LL-520**

**ARGO-70, Insert with cast iron interior and fans**



Efficiency. 76 %  
Nominal output 6,5 kW  
Output range 4,5-8 kW  
CO at 13% O<sub>2</sub> = 0,21%  
Fuel 2,3 kg/h  
Weight 110 kg  
Log length 45 cm  
Smoke pipe diameter 150 mm



### ARGO-80

#### CODE

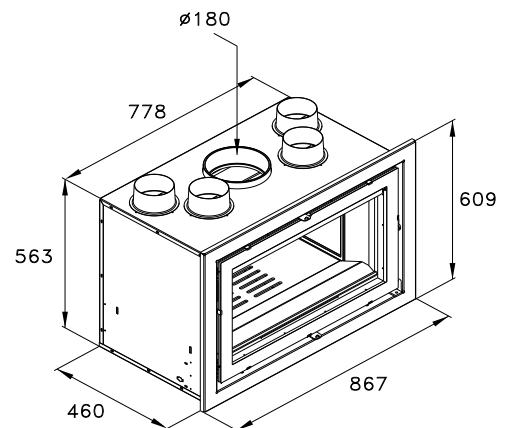
#### DESCRIPTION

**LL-525**

**ARGO-80, Insert with cast iron interior and fans**



Efficiency. 75 %  
Nominal output 11,5 kW  
Output range 8-14 kW  
CO at 13% O<sub>2</sub> = 0,14%  
Fuel 3,2 kg/h  
Weight 123,5 kg  
Log length 50 cm  
Smoke pipe diameter 180 mm



## STOVE

### LL-1160

#### CODE

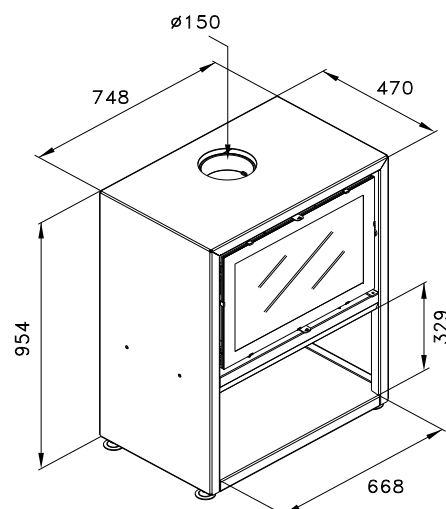
#### DESCRIPTION

**LL-1160**

**LL-1160, Frontal stove with fans and cast iron interior**



Efficiency 76 %  
Nominal output 6,5 kW  
Output range 4,5-8 kW  
CO at 13% O<sub>2</sub> = 0,21%  
Fuel .2,3 kg/h  
Weight 163 kg  
Log length 45 cm  
Smoke pipe diameter 150 mm



## CLEANING TOOLS STOVES

LL-930	CODE	DESCRIPTION	
--------	------	-------------	--



LL-930 LL-930, Dustpan, cleaning brush, pliers, and skewers

LL-920	CODE	DESCRIPTION	
--------	------	-------------	--



LL-920 LL-920, Dustpan, cleaning brush and skewers

LL-925	CODE	DESCRIPTION	
--------	------	-------------	--



LL-925 LL-925, Dustpan, cleaning brush, pliers and skewers

LL-935	CODE	DESCRIPTION	
--------	------	-------------	--



LL-935 LL-935, Dustpan, cleaning brush, palette, and skewers